

Call Toll-Free: 1-800 Van Mark Email: sales@van-mark.com

Save Time! Save Money!

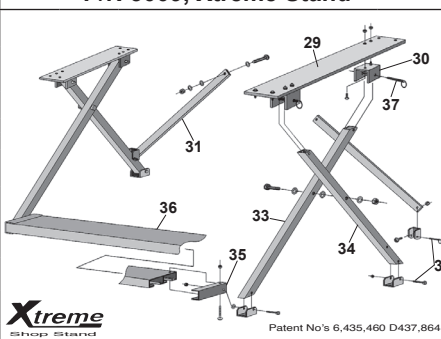
All 3000 Series Parts Numbers are Complete "Ready to Use" Assemblies.

Ref	Description	Model IT8-S P/N	Model IT10-S P/N	Model IT12-S P/N
1	Cam Tube	4403	4404	4405
2	F-Bar w/SS / Tape Rule	3689B	3690B	3691B
3	Front Hinge w/Blue Vinyl Strip	3695B	3696B	3697B
4	Rear Hinge	4114B	4115B	4116B
5	Base Rail	4124	4125	4126
6*	*Strip, Stainless Steel 60 Series	4543	4544	4545
6*	*Strip, Stainless Steel Power Lock™	4792	4793	4794
7	Pin, SS Hinge	4062	4063	4064

*Can ship via UPS in 2 pcs.

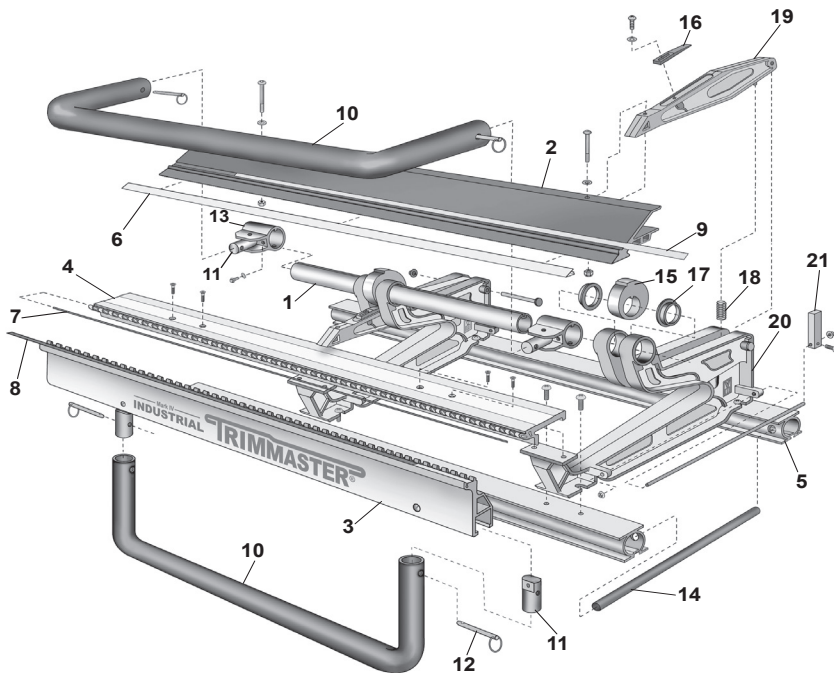
Parts For All Models

Ref	Part Name	P/N
8	Strips, Blue Vinyl Wear (2 ea)	3909
9	Rule, Tape	4765
10	Handle	4831
11	Handle Post	3906
12	Handle Faspins	3655
13	Lock Handle Bracket	4107
14	Carrying Handle	3943
15	Locking Cam	4801
16	Wedge Pads, UHMW	3905
17	Cam Tube Bearing	3901
18	Pivot Arm Spring	3902
19	Casting, Upper Pivot Arm	4462
20	Casting, Base "C" Clamp	4900
21	Material Stop Assembly (2 ea)	3965

P/N 3009, Xtreme Stand™	Ref	Description	P/N
	29	Leg Plate	4844
	30	Leg Bracket	4845
	31	Leg Brace	4846
	32	Leg/Foot Bracket	4847
	33	Front Leg	4848
	34	Rear Leg	4849
	35	Platform Bracket	4851
	36	Platform	4852
	37	Faspin 5/16 x 2	2715

Patent No's 6,435,460 D437,864

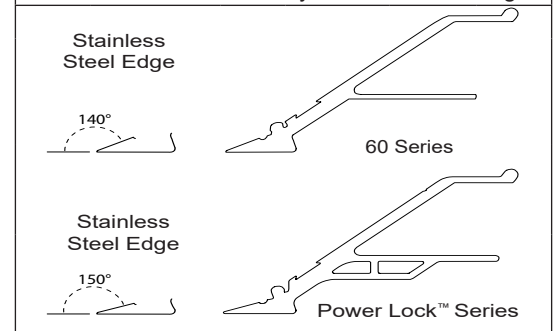
Call for IT14 Parts





Tune-Up Kit
Part # 3910

Ref	Description	P/N
8	Strip, Blue Vinyl Wear (2 ea)	
12	Handle Faspins	
16	Wedge Pads UHMW	
18	Pivot Arm Spring	

Ref #6 How to Identify Stainless Steel Edge



Optional Accessories

TrimCutter™ 3017	Wheel Kit 3004
	
Cuts wide range of materials on all Mark Series brakes	Fits All Van Mark Brakes Attaches to one end of Brake Base Rails

VAN MARK PRODUCTS CORPORATION

24145 Industrial Park Drive, Farmington Hills, MI 48335-2864 Michigan 1-248-478-1200
 Call Free 1-800-VAN-MARK (1-800-826-6275) Fax Free! 1-888-VAN-MARK (1-888-826-6275)
 Web Site: www.van-mark.com E-mail: sales@van-mark.com

Mark IV Industrial TrimMaster®
 Orders must include model and serial no. in order to guarantee correct parts are shipped.