

Call Toll-Free: 1-800 Van Mark Email: sales@van-mark.com





Save Time! Save Money!

All 3000 Series Parts Numbers are Complete "Ready to Use" Assemblies.

| Ref | Description | Model | | Model | | Model | |
|-----|-------------------------------------|-----------|----------|------------|-----------|------------|-----------|
| | | TM8 Contr | TM8HD HD | TM10 Contr | TM10HD HD | TM12 Contr | TM12HD HD |
| 1 | Cam Tube | | 4403 | | 4404 | | 4405 |
| 2 | F-Bar w/SS / Tape Rule | Contr | 3136B | | 3138B | | 3140B |
| 3 | F-Bar w/SS / Tape Rule | HD | 3137B | | 3139B | | 3141B |
| 4 | Front Hinge w/Green Vinyl | Contr | 3147B | | 3148B | | 3149B |
| 4 | Front Hinge w/Green Vinyl | HD | 3147B | | 3148C | | 3149B |
| 5 | Rear Hinge | Contr | 4511B | | 4513B | | 4515B |
| 6 | Rear Hinge | HD | 4512B | | 4514B | | 4516B |
| 7 | Base Rail | Contr | 4437 | | 4439 | | 4441 |
| 8 | Base Rail | HD | 4438 | | 4440 | | 4442 |
| 9 | *Strip, Stainless Steel 60 Series | | 4543 | | 4544 | | 4545 |
| 9 | *Strip, Stainless Steel Power Lock™ | | 4792 | | 4793 | | 4794 |
| 10 | Hinge Pin | | 4062 | | 4063 | | 4064 |

*Can ship via UPS in 2 pcs.

Optional Accessories

| TrimCutter™ 3017 | Wheel Kit 3004 | UniLeg™ UNL1 | TrimFormer™ 3015 |
|---|---|---|---|
|  |  |  |  |
| Cuts wide range of materials on all Mark Series Brakes | Fits all Van Mark Brakes Attaches to one end of Brake Base Rails | Provides stable footing on many Van Mark Tools | Add architectural depth to trim work |

Parts For All Models

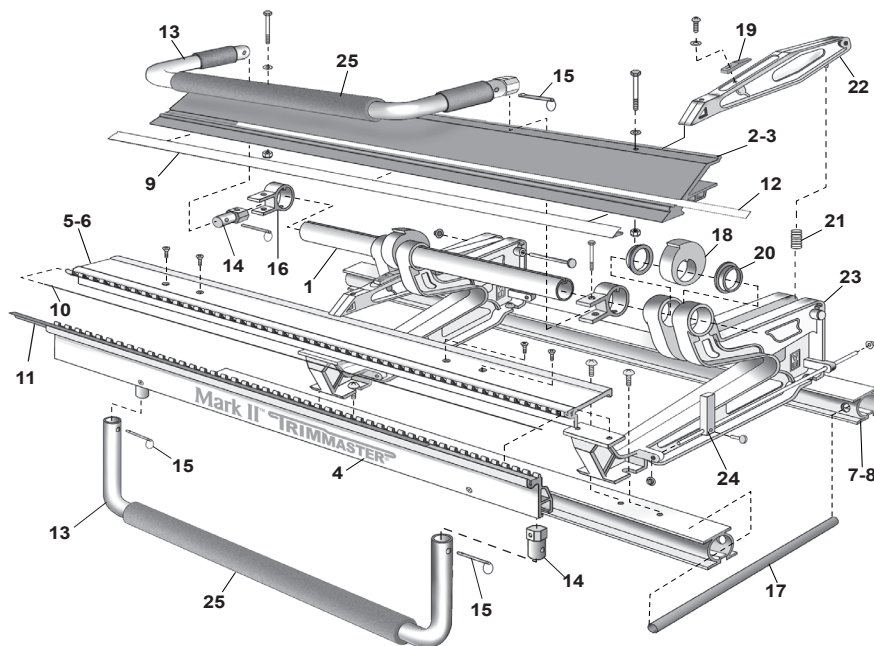
| Ref | Part Name | P/N |
|-----|--------------------------------|-------|
| 11 | Green Vinyl Wear Strips (2 ea) | 3151 |
| 12 | Tape Rule | 4765 |
| 13 | Handle w/Grip | 3152 |
| 14 | Handle Post | 3153 |
| 15 | Handle Faspins | 3158 |
| 16 | Lock Handle Bracket | 3931 |
| 17 | Carrying Handle | 3154 |
| 18 | Locking Cam | 4801 |
| 19 | Wedge Pads, UHMW | 3155 |
| 20 | Cam Tube Bearing | 3901 |
| 21 | Pivot Arm Spring | 3902 |
| 22 | Pivot Arm Casting | 4462 |
| 23 | Base Casting | 4461* |
| 24 | Material Stop Assembly (2 ea) | 3965 |
| 25 | Handle Grip | 3156 |

*4900 replaces 4461

Tune-Up Kits

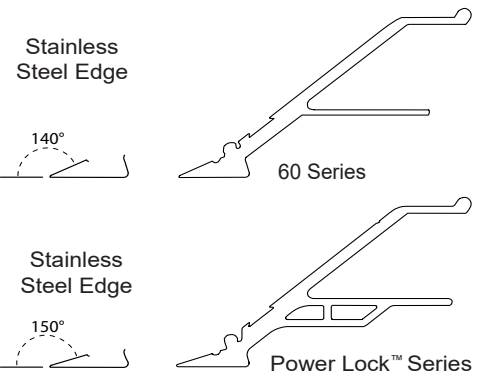
Contractor Model P/N 3157
HD Model P/N 3159

| Ref | Description | P/N |
|-----|--------------------------------|-----|
| 11 | Strip, Green Vinyl Wear (2 ea) | |
| 15 | Handle Faspins | |
| 19 | Wedge Pads UHMW | |
| 21 | Pivot Arm Spring | |



Ref no. 9

How to Identify Stainless Steel Edge



VAN MARK PRODUCTS CORPORATION

24145 Industrial Park Drive, Farmington Hills, MI 48335-2864 Michigan 1-248-478-1200

Call Free 1-800-VAN-MARK (1-800-826-6275) Fax Free! 1-888-VAN-MARK (1-888-826-6275)

Web Site: www.van-mark.com

E-mail: sales@van-mark.com

Mark II TrimMaster®

Orders must include model and serial no. in order to guarantee correct parts are shipped.