

Call Toll-Free: 1-800 Van Mark Email: [sales@van-mark.com](mailto:sales@van-mark.com)

Model Specific Parts		Model IM854	Model IM1054	Model IM1254
Ref	Description	P/N	P/N	P/N
1	Tube, Cam	4403	4404	4405
2	F-Bar, w/SS/Tape Rule	3676	3677	3678
3	Hinge, Front	3681	3682	3683
4	Hinge, Fixed Rear	4520	4521	4522
5	Rail, Base	4132	4133	4134
6	Strip, Stainless Steel Edge*	4792	4793	4794
7	Hinge Pin	4062	4063	4064
8	Wear Strip	4734	4735	4736

\*Can Ship UPS in 2 Pieces

Ref	Tune-Up Kit-3914
8	Wear Strip
16	Pads, Wedge UHMW
18	Springs, Coil 3/4 x 1 3/4"
25	Faspins

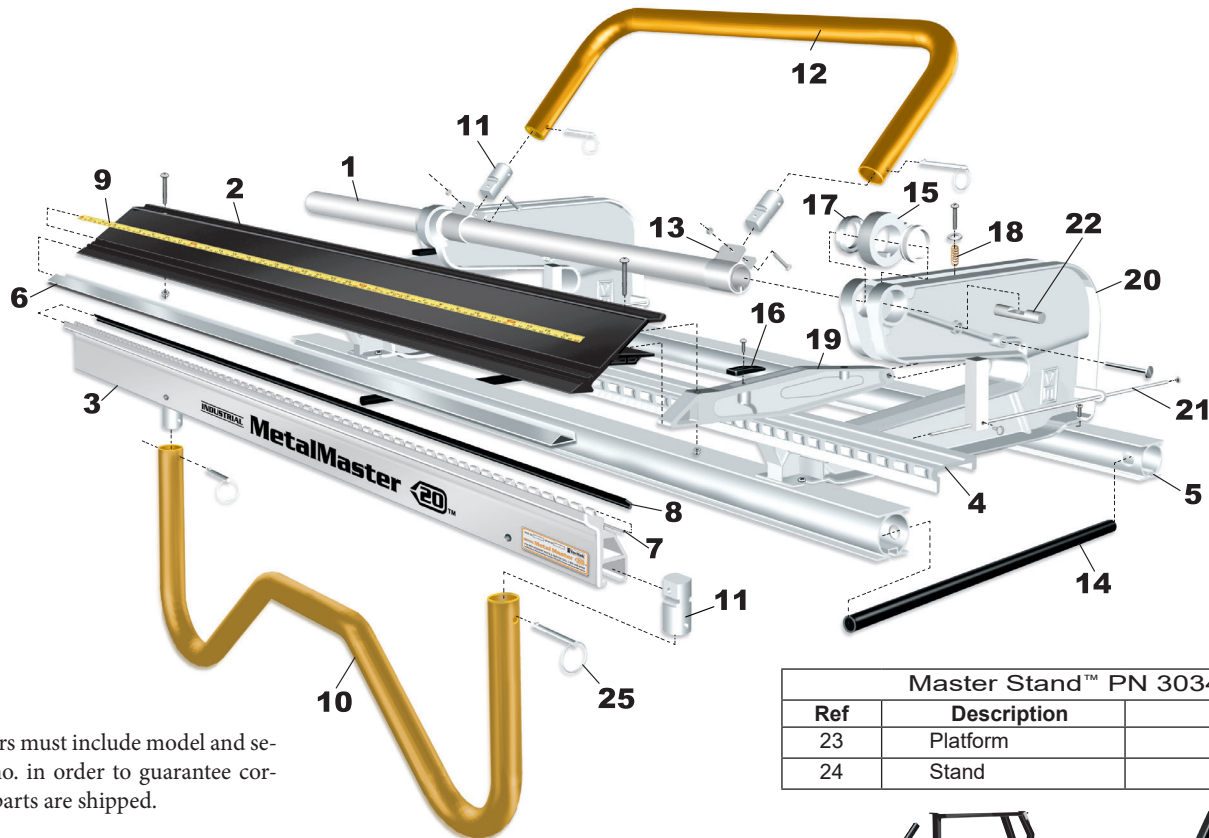
### Available Accessories

TrimCutter™	Part No. 3017
-------------	---------------



Don't forget the one accessory that literally cuts your labor in two. TrimCutter™ is the perfect Add-On, paying for itself in as little as one job.

Parts For All Models		
Ref	Description	P/N
9	Rule, Tape Inches/Metric	4765
10	Handle, Bending	4810
11	Post, Handle (2 ea)	3906
12	Handle, Locking	4805
13	Bracket, Locking Handle	4107
14	Handle, Carrying	3686
15	Cam, Locking	4801
16	Pads, Wedge UHMW (10 ea)	3574
17	Bearing, Cam Tube (2 ea)	3901
18	Springs, Coil 3/4 x 1 3/4" (4 ea)	3902
19	Casting, Pivot Arm	4462B
20	Casting, Base C Clamp	4725
21	Material Stop Assembly	3687
22	Spring Pin	4767



Orders must include model and serial no. in order to guarantee correct parts are shipped.

Master Stand™ PN 3034		
Ref	Description	PN
23	Platform	3033
24	Stand	USA2



## VAN MARK PRODUCTS CORPORATION

24145 Industrial Park Drive, Farmington Hills, MI 48335-2864 Michigan 1-248-478-1200

Call Free 1-800-VAN-MARK (1-800-826-6275) Fax Free! 1-888-VAN-MARK (1-888-826-6275)

Web Site: [www.van-mark.com](http://www.van-mark.com)

E-mail: [sales@van-mark.com](mailto:sales@van-mark.com)