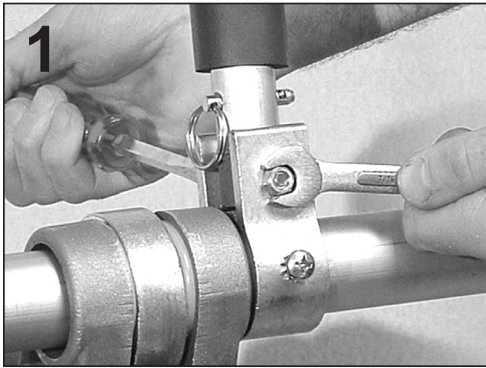
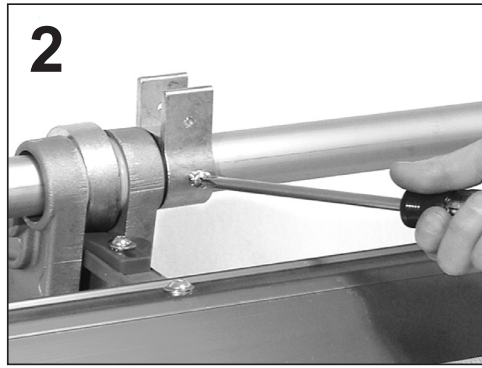


Reversing Locking Handle Direction for Overhead Cam Lock Bending Brakes

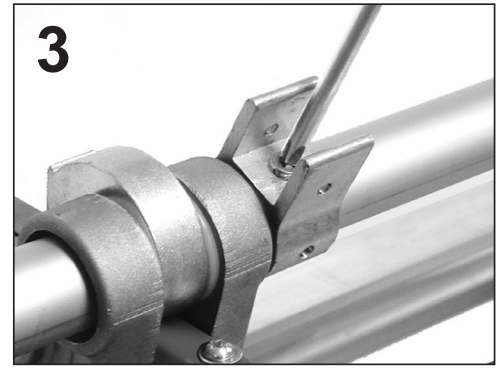
We don't feel this is the proper way to lock a Van Mark brake but it is an option if this method of locking best fits your individual needs.



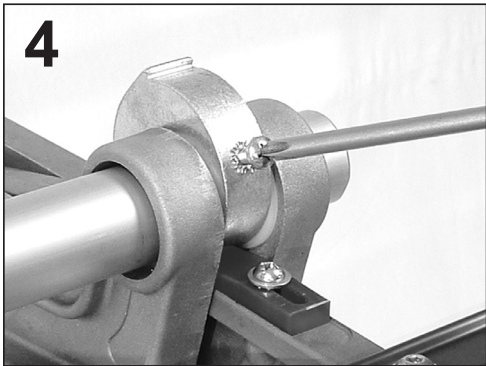
1
Remove screws and hex nuts from both handle brackets.



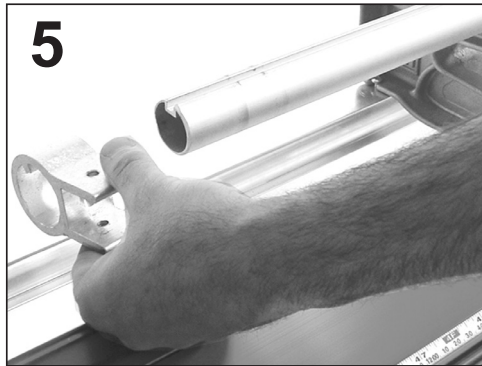
2
Remove screws from brackets as seen here (keep track of parts).



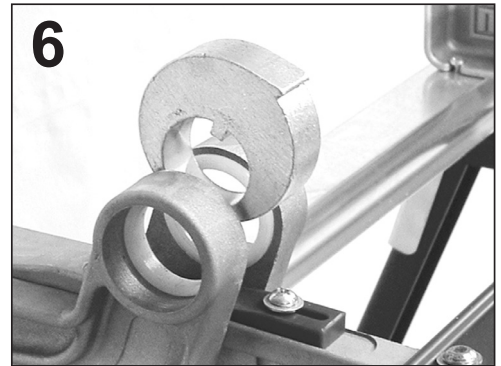
3
Remove screws from center of bracket channels. Brackets should move freely.



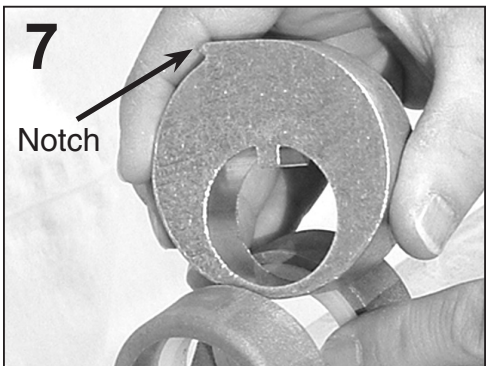
4
Remove screw from cam located at right end of brake.



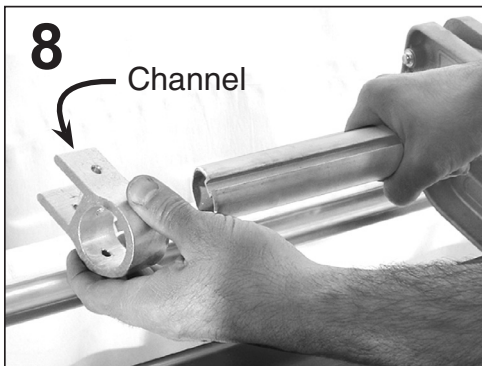
5
Slide cam tube from end of brake. Catch both handle brackets as you go.



6
Remove cams from casting. Leave white bearings in place.



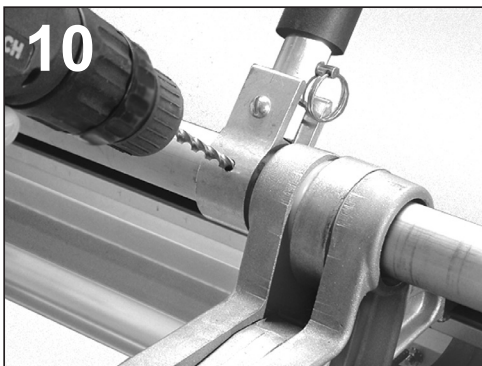
7
Flip cam around with notch facing rearward and slide back into place.



8
Reinsert cam tube. With key way facing up, slide brackets on, channel facing to the rear.



9
Drill new hole into cam tube. Use hole in cam for a pilot hole. Reinsert screw.



10
Drill new screw holes thru bracket holes and into cam tube. Reinsert screw.



24145 Industrial Park Dr.
Farmington Hills, MI 48335

Email: sales@van-mark.com
van-mark.com

Toll Free: 1-800-Van Mark
Toll Free Fax: 1-888-Van Mark

Phone: +1-248-478-1200
Fax: +1-248-478-1226