

Call Toll-Free: 1-800 Van Mark Email: sales@van-mark.com





Save Time! Save Money!

All 3000 Series Parts Numbers are Complete "Ready to Use" Assemblies.

Ref	Description	Model	Model	Model
		TM860 Contr TM861 HD P/N	TM1060 Contr TM1061 HD P/N	TM1260 Contr TM1261 HD P/N
1	Cam Tube	4403	4404	4405
2	F-Bar w/SS / Tape Rule Contr	3136B	3138B	3140B
3	F-Bar w/SS / Tape Rule HD	3137B	3139B	3141B
4	Front Hinge w/Green Vinyl Contr	3147	3148	3149
4	Front Hinge w/Green Vinyl HD	3147	3148D	3149
5	Rear Hinge Contr	4511	4513	4515
6	Rear Hinge HD	4512	4514	4516
7	Base Rail Contr	4437	4439	4441
8	Base Rail HD	4438	4440	4442
9	*Strip, Stainless Steel 60 Series	4543	4544	4545
9	*Strip, Stainless Steel Power Lock™	4792	4793	4794
10	Hinge Pin	4062	4063	4064

*Can ship via UPS in 2 pcs.

Optional Accessories

TrimCutter™ 3017	Wheel Kit 3004	UniLeg™ UNL1	TrimFormer™ 3015
			
Cuts wide range of materials on all Mark Series brakes	Fits All Van Mark Brakes Attaches to one end of Brake Base Rails	Provides stable footing on many Van Mark tools	Add architectural depth to trim work

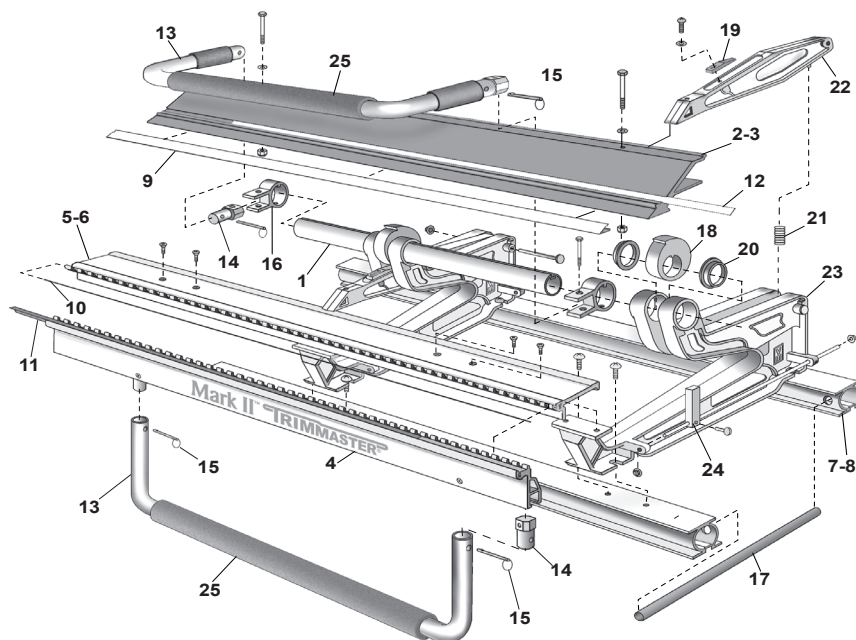
Parts For All Models

Ref	Part Name	P/N
11	Green Vinyl Wear Strips (2 ea)	3151
12	Tape Rule	4765
13	Handle w/Grip	3152
14	Handle Post	3153
15	Handle Faspins	3158
16	Lock Handle Bracket	3931
17	Carrying Handle	3154
18	Locking Cam	4801
19	Wedge Pads, UHMW	3155
20	Cam Tube Bearing	3901
21	Pivot Arm Spring	3902
22	Pivot Arm Casting	4462
23	Base Casting	4461*
24	Material Stop Assembly (2 ea)	3965
25	Handle Grip	3156

*4900 replaces 4461

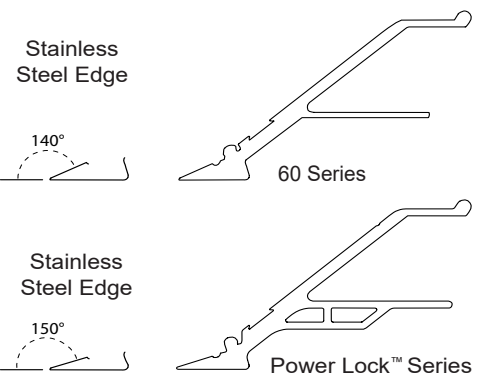
Tune-Up Kits

Contractor Model		P/N 3157
HD Model		P/N 3159
Ref	Description	
11	Strip, Green Vinyl Wear (2 ea)	
15	Handle Faspins	
19	Wedge Pads UHMW	
21	Pivot Arm Spring	



Ref no. 9

How to Identify Stainless Steel Edge



Mark II TrimMaster®

Orders must include model and serial no. in order to guarantee correct parts are shipped.

VAN MARK PRODUCTS CORPORATION

24145 Industrial Park Drive, Farmington Hills, MI 48335-2864 Michigan 1-248-478-1200

Call Free 1-800-VAN-MARK (1-800-826-6275) Fax Free! 1-888-VAN-MARK (1-888-826-6275)

Web Site: www.van-mark.com

E-mail: sales@van-mark.com