

Toll-Free: 1-800 Van Mark Email: sales@van-mark.com





Save Time! Save Money!
All 3000 Series Parts Numbers are
Complete "Ready to Use" Assemblies.

Ref	Description	Model			Parts For All Models		
		M850 Contr M851 HD P/N	M1050 Contr M1051 HD P/N	M1250 Contr M1251 HD P/N	Ref	Part Name	P/N
1	Cam Tube	4705	4706	4707	12	Tape Rule	4765
2	F-Bar w/SS / Tape Rule	3917	3919	3921	13	Handle, Bending w/Brkts	3536
3	F-Bar w/SS / Tape Rule	3918	3920	3922	14	Brackets, Bending Handle (2 ea)	3579
4	Front Hinge w/Yellow Vinyl Strip	3928	3929	3930	15	Handle, Locking w/Brackets	3936
5	Rear Hinge	4038	4039	4040	16	Brackets, Locking Handle (2 ea)	3931
6	Rear Hinge	4140	4141	4142	17	Handles, Carrying (2 ea)	3630
7	Base Rail	4758	4760	4762	18	Cam, Locking	4801
8	Base Rail	4759	4761	4763	19	Pads, Wedge UHMW (6 ea)	3900
9	Strips, Yellow Vinyl Wear (2 ea)	3657	3657	3657	20	Bearings, Cam Tube UHMW 2 ea	3901
10a	*Strip, Stainless Steel 50 Series	4771	4772	4773	21	Springs, Coil 3/4x1 3/4" (4 ea)	3902
10b	*Strip, Stainless Steel Power Lock™	4792	4793	4794	22	Casting, Upper Pivot Arm	4800
11	Hinge Pin	4062	4063	4064	23	Casting, Base C Clamp	4461*
					24-28	Material Stop Assembly (2 ea)	3935

*Can Ship UPS in 2 pcs.

Optional Accessories

*4900 replaces 4461

TrimCutter™ 3017	Wheel Kit 3004	UniLeg 1™ UNL1	TrimFormer™ 3015
			

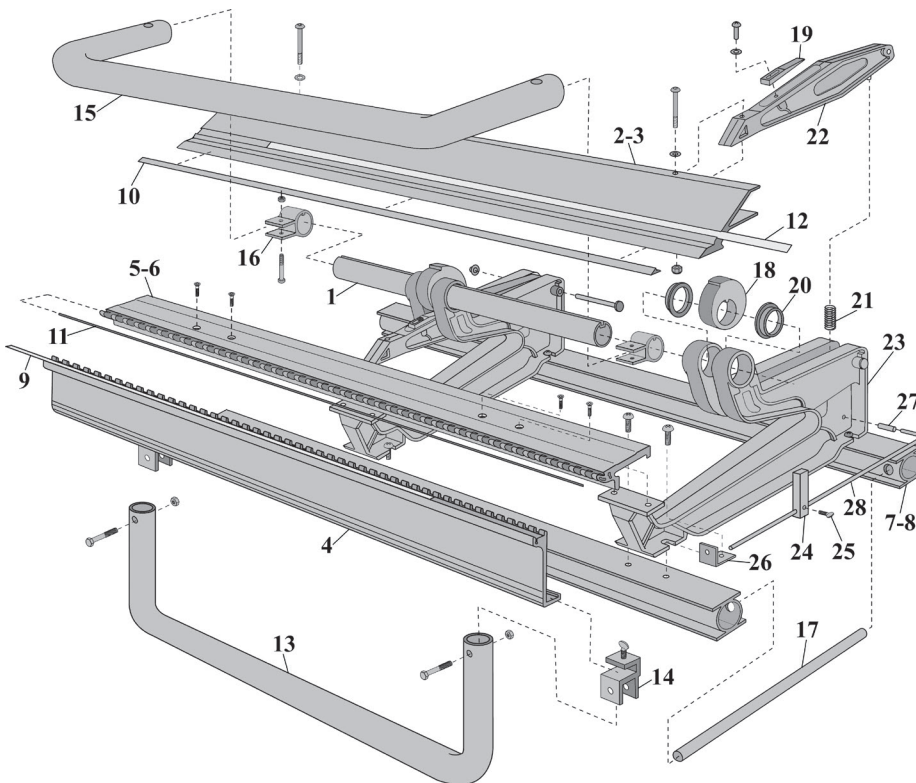
Cuts wide range of materials on all Mark Series brakes

Fits All Van Mark Brakes
Attaches to one end of Brake Base Rails

Provides stable footing on many Van Mark tools

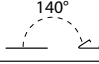
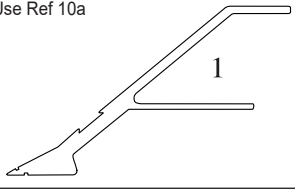
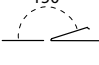
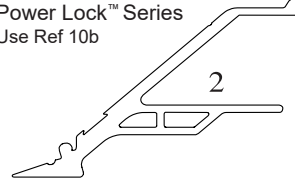
Add architectural depth to trim work

Tune-Up Kits	
Contractor Model	P/N 3932
Commercial Model	P/N 3933
Ref	Contents
9	Strip, Yellow Vinyl Wear (2 ea)
19	Pads, Wedge UHMW
21	Springs, Pivot Arm
Screw & Fastener Package, Misc	



Ref no. 10

How to Identify Stainless Steel Edge

<p>Stainless Steel Edge</p> 	<p>50 Series Use Ref 10a</p> 
<p>Stainless Steel Edge</p> 	<p>Power Lock™ Series Use Ref 10b</p> 

Mark I™ 50 Series

Orders must include model and serial no. in order to guarantee correct parts are shipped.

VAN MARK PRODUCTS CORPORATION

24145 Industrial Park Drive, Farmington Hills, MI 48335-2864 Michigan 1-248-478-1200

Call Free 1-800-VAN-MARK (1-800-826-6275) Fax Free! 1-888-VAN-MARK (1-888-826-6275)

Web Site: www.van-mark.com

E-mail: sales@van-mark.com