

Call Toll-Free: 1-800 Van Mark Email: sales@van-mark.com

Ref	Description	P/N
1	Top, Sliding Table	7001
2	Deck, Main	7002
3	Fence, Rear	7003
4	Base, Saw Track	7004
5	Tube, Extension	7005
6	Rail, Saw Track	7006
7	Angle, Ex. Cross Bar	7007
8	Angle, Saw Track C-Bar	7008
9	Vinyl, Main Deck	7009
10	Vinyls, Track 2 pc Set	3402
11-14	Tape Rules, 4 pc Set	3408
15	Rod, Threaded Track adj.	7016

Ref	Description	P/N
16	Stub, Saw Track Pivot	7017
17	Block, Saw track Pivot	7018
18	Rod, Locking	7019
19	Knob, Locking Rod	7020
20	Spring, Screw Retaining	7021
21	Handle, Carrying	7022
22	Stop, Saw Track Angle	7023
23	Butt-stop, Material	3403
24	Protractor Plate	7025
26	Angle, Saw Track Base	7032
27	Shim, 1/4" Track Riser	7033
28	Block, 2" Track Riser	7034

Ref	3409 Tune-Up Kit:
10	Vinyls, Saw Track 2 pc Set
11-14	Tape Rules, 4 pc Set
20	Springs, Thumb Screws
23	Butt-Stop w/Screw
24	Protractor Plate
25	5/16 x 8 Nut Retaining Brkt
33	5/16 x 18x3/4 Thumb Scw.
38	1/4 x 20x 3/4 Thumb Scw.
40	5/16-18 hex Nut

Accessories/Assemblies	
USA1	UniStand Adjustable
3001	Steel Leg Kit
3506	Rep. Saw Track Assembly
3401	Thumb Screw Kit
3519	Deck Assembly


**Optional Steel Folding Legs Kit**

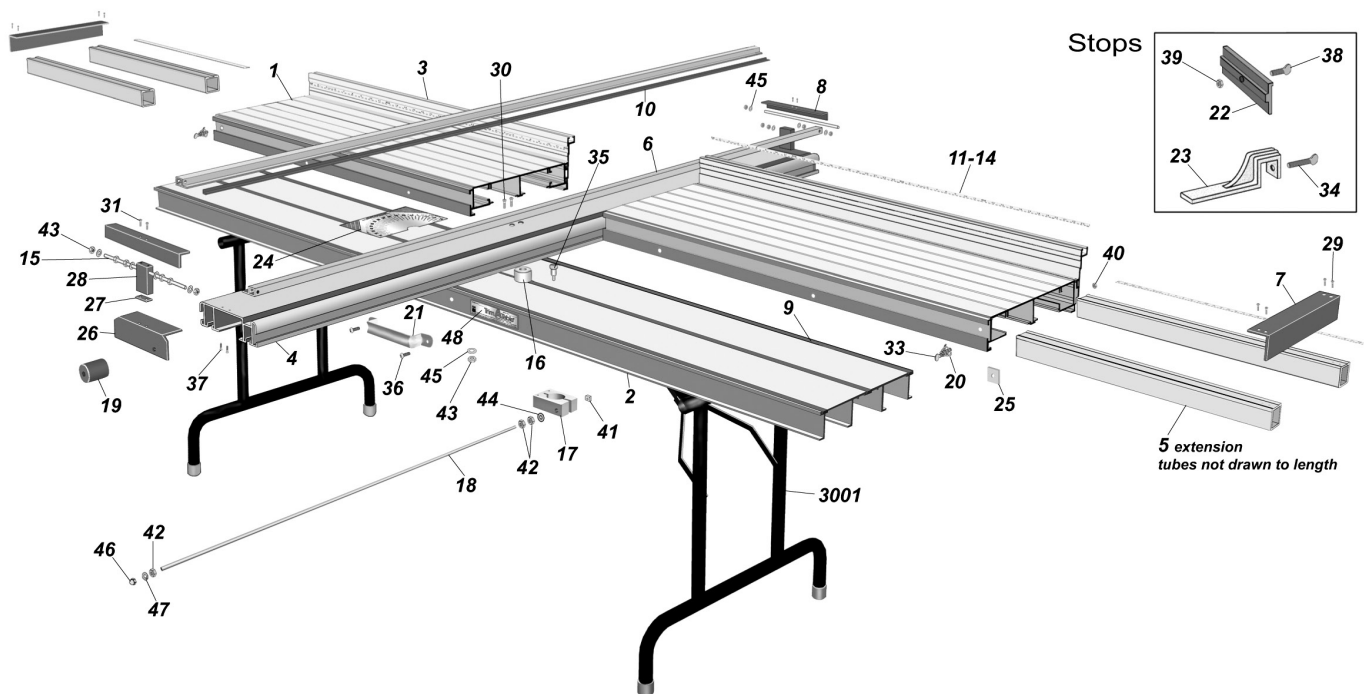
Steel Folding Legs  
Fits Trim-A-Table  
Model TAT60  
No. 3001



**Optional UniStand Adjustable™**

UniStand Adjustable  
Fits Many Popular  
Van Mark Tools  
No. USA1





**VAN MARK PRODUCTS CORPORATION**

24145 Industrial Park Drive, Farmington Hills, MI 48335-2864 Michigan 1-248-478-1200  
 Call Free 1-800-VAN-MARK (1-800-826-6275) Fax Free! 1-888-VAN-MARK (1-888-826-6275)  
 Web Site: www.van-mark.com E-mail: sales@van-mark.com

**Trim-A-Table™ TAT50**

Orders must include model and serial no. in order to guarantee correct parts are shipped.