

Call Toll-Free: 1-800 Van Mark Email: sales@van-mark.com

Save Time! Save Money!

All 3000 Series Parts Numbers are Complete "Ready to Use" Assemblies.





Ref	Description	Model	Model	Model
		MM850 Contr MM851 HD P/N	MM1050 Contr MM1051 HD P/N	MM1250 Contr MM1251 HD P/N
1	Cam Tube	4858	4859	4860
2	F-Bar, Silver w/SS Strip Contr	3662	3664	3666
3	F-Bar, Silver w/SS Strip HD	3663	3665	3667
4	Front Hinge w/Black Vinyl Contr	3671	3672	3673
4	Front Hinge w/Black Vinyl HD	3671	3672B	3673
5	Rear Hinge Contr	4674	4676	4678
6	Rear Hinge HD	4675	4677	4679
7	Base Rail Contr	4741	4743	4745
8	Base Rail HD	4742	4744	4746
9	Wear Strip, Black	4734	4735	4736
10	*Strip, Stainless Steel Power Lock™	4792	4793	4794
11	Pin, Stainless Steel Hinge	4062	4063	4064
12	Rule, Tape Inches/Metric	4765	4765	4765

*Can ship via UPS in 2 pcs.

Parts For All Models

Ref	Part Name	P/N
13	Handle, Bending	4850
14	Handle Post (2 ea)	3906
15	Handle, Locking	4764
16	Bracket, Locking Handle	4107
17	Handle, Carrying (2 ea)	3686
18	Cam, Locking	4801
19	Pads, Wedge UHMW (7 ea)	3973
20	Bearing, Cam-Tube UHMW (2 ea)	3901
21	Springs, Coil 3/4 x 1 3/4 inch (4 ea)	3902
22	Casting, Upper Pivot Arm	4462B
23	Casting, Base C Clamp	4725
24	Material Stop Assembly (2 ea)	3687
25	Spring, Pivot Pin	4767
26	Faspins (4 ea)	3655

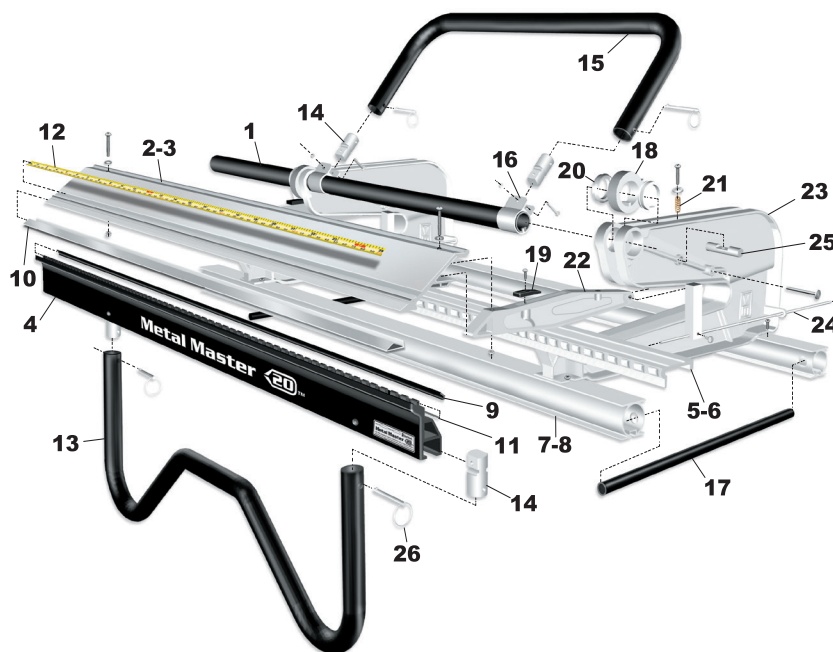
Optional Accessories

TrimCutter™ 3017	Wheel Kit 3035	UniStand™ USA2	TrimFormer™ 3015
			
Cuts wide range of materials on all Mark Series brakes	Fits All Van Mark 20" Brakes Attaches to one end of Brake Base Rails	Provides stable footing for many Van Mark tools	Add architectural depth to trim work

Tune-Up Kit

Contractor Model P/N 3913

Ref	Description
9	Strip, Black Vinyl Wear
19	Wedge Pads UHMW
21	Springs, Coil 3/4 x 1 3/4 inch
26	Faspins



VAN MARK PRODUCTS CORPORATION

24145 Industrial Park Drive, Farmington Hills, MI 48335-2864 Michigan 1-248-478-1200
 Call Free 1-800-VAN-MARK (1-800-826-6275) Fax Free! 1-888-VAN-MARK (1-888-826-6275)
 Web Site: www.van-mark.com E-mail: sales@van-mark.com

Metal Master® 20™

Orders must include model and serial no. in order to guarantee correct parts are shipped.