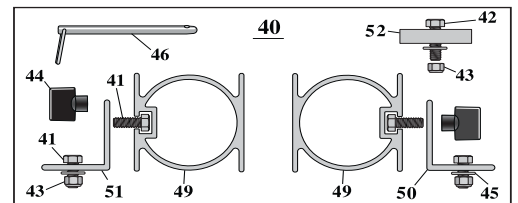


Call Toll-Free: 1-800 Van Mark Email: sales@van-mark.com

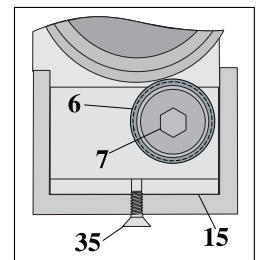
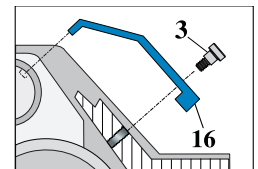
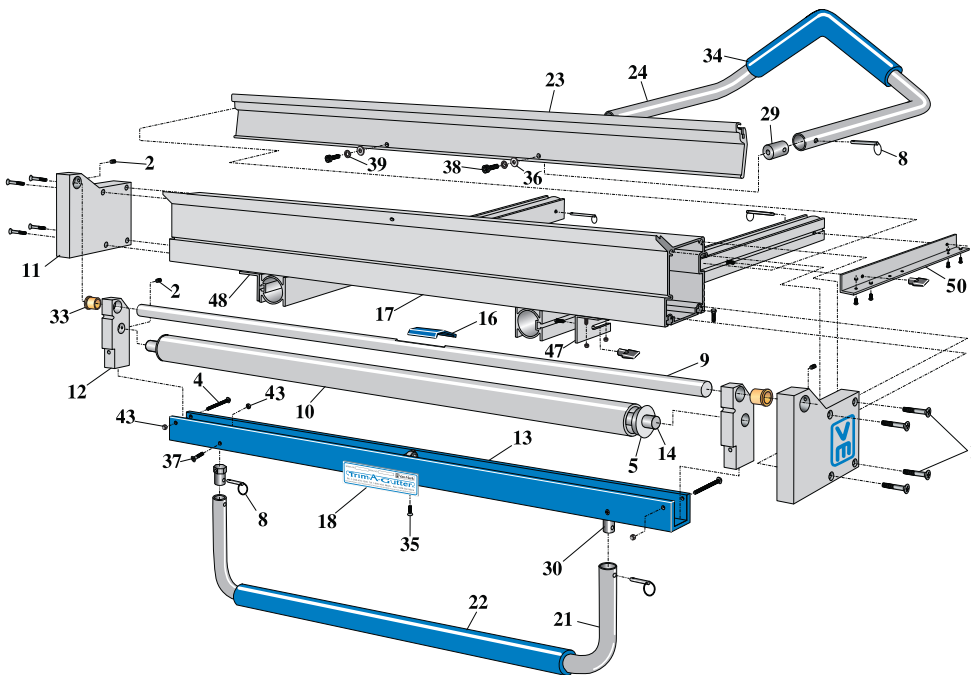
Ref	Description	Part No
1	End Block Screw	2067
2	Anvil Lock Screw	2014
3	Anvil Bracket Screw	2010
4	Lower Rail Screw	2064
5	Roller Tube Bearing	4604
6	Roller Support Bearing	4605
7	Support Bearing Screw	2049
8	1/4 x 1" Fast Pin	2710
9	Stainless Steel Anvil	4606
10	Roller Tube	4608
11	End Block	4610
12	Pivot Block	4611
13	Lower Rail	4612
14	Roller Axle	4614
15	Bearing Bracket	4616
16	Reinforcement Clip	4617

Ref	Description	Part No
17	Body	4618
18	Name Plate	4628
21	Roller Handle	4053
22	Roller Handle Grip	4625
23	Bending Leaf	4620
24	Leaf Handle	4622
29	Bending Leaf Stub	4623
30	Roller Handle Stub	4110
33	Anvil Spacer	4631
34	Leaf Handle Grip	4626
35	Bearing Brkt. Screw	2053
36	5/16" Flat Washer	2505
37	Roller Stub Screw	2006
38	Leaf Stub Screw	2070
39	5/16" Lock Washer	2504
41	1/4-20x5/8 Hex Hd	2058

Ref	Description	Part No
40	UniMount™ Assembly	3097
41	1/4-20x5/8 Hex Hd	2058
42	1/4-20x1 1/4 Hex Hd Cap	2043
43	1/4" Nyloc Nut	2313
44	Lock Knob	2072
45	1/4" Flat Washer	2512
46	5/16 x 2 1/2" Fast Pin	2715
47	3" Right Body Bracket	4632R
48	3" Left Body Bracket	4632L
49	Rail	4634
50	Right Bracket	4633R
51	Left Bracket	4633L
52	Spacer	4635



PN4637 6" Bracket Available in 100 and 500 pc kits	PN4630 5" Bracket Available in 100 and 500 pc kits	PN2069 3" Anchor Screw Available in 100 and 500 pc kits	PN2068 Cover Screw Available in 100 and 500 pc kits	PN4629 Bit Driver	UniLeg™ Supports
Patent No. 7,707,781 Foreign Patents Pending	Patent No. 7,707,781 Foreign Patents Pending				



**Trim-A-Gutter™ TAG50**

Orders must include model and serial no. in order to guarantee correct parts are shipped.

**VAN MARK PRODUCTS CORPORATION**

24145 Industrial Park Drive, Farmington Hills, MI 48335-2864 Michigan 1-248-478-1200  
 Call Free 1-800-VAN-MARK (1-800-826-6275) Fax Free! 1-888-VAN-MARK (1-888-826-6275)  
 Web Site: www.van-mark.com E-mail: sales@van-mark.com