

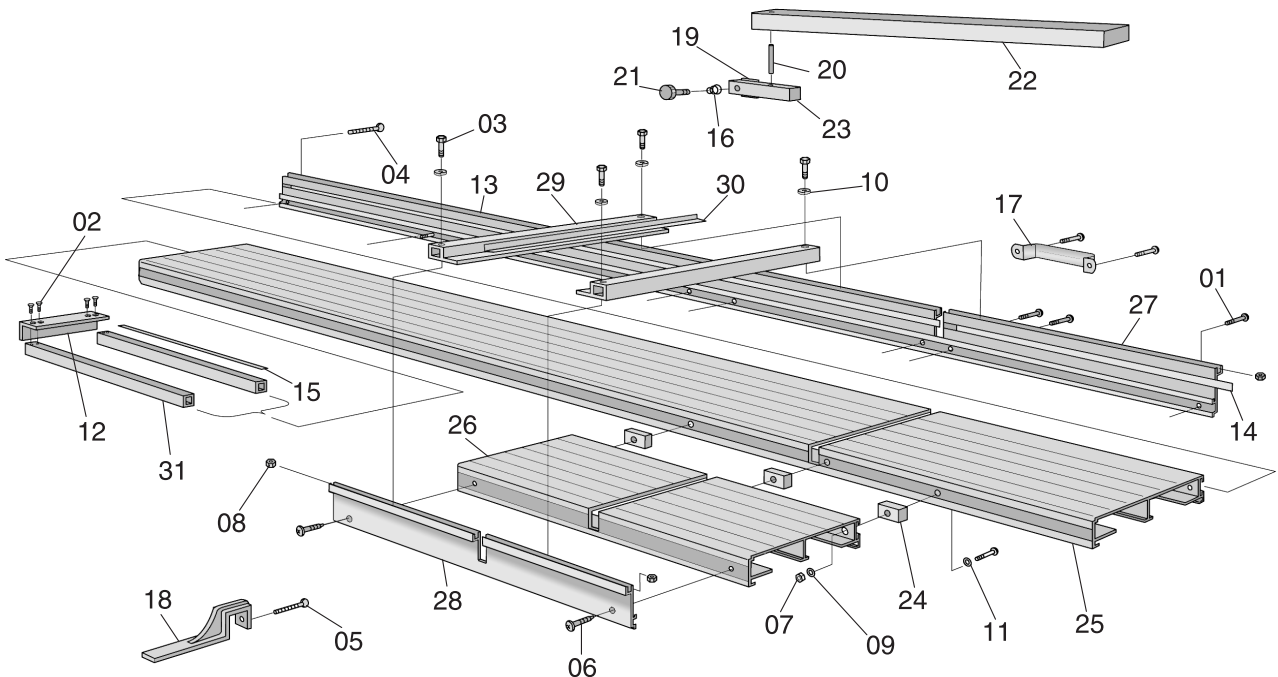
Call Toll-Free: 1-800 Van Mark Email: sales@van-mark.com

Ref #	Description	P/N
01	1/4-20x1" Phil Pan Hd	2001
02	10-24x1/2" Phil Ft F	2004
03	5/16-18x11/4" HD Cap	2011
04	5/16-18x3/4 Shld Thumb	2024
05	5/16-18x2 Thumbscrew	2025
06	1/4-20x1 1/4 RDHD	2030
07	1/4-20 Hex Nut	2300
08	5/16-18 Hex Nut	2304
09	1/4 Washer, Lock	2500
10	5/16 Washer, Lock	2504
11	1/4 Washer, Flat	2510
12	Ext. Cross-Bar	7007
13	Tape Rule, Left	7011
14	Tape Rule, Right	7012
15	Tape Rule, Left Ext.	7013
16	Spring, Screw Retain.	7021

Ref #	Description	P/N
17	Handle	7022
18	Buttstop Casting	7024
19	Retain. Bracket Nut	7026
20	Spring Pin	Included w/7031
21	Plastic Knob	2015
22	Miter Bar	7030
23	Miter Bar Block	7031
24	Splice Block	7038
25	Main Top	7039
26	Apron Top	7040
27	Main Fence	7041
28	Apron Fence	7042
29	Saw Track	7043
30	Vinyl Strip	7044
31	Ext. Tube	7045

Steel Folding Legs
Part No. 3020
Fits SureCut SCT90

UniStand Adjustable Part No.
USA1 Fits SureCut & Other
Popular Van Mark Tools



VAN MARK PRODUCTS CORPORATION

24145 Industrial Park Drive, Farmington Hills, MI 48335-2864 Michigan 1-248-478-1200
Call Free 1-800-VAN-MARK (1-800-826-6275) Fax Free! 1-888-VAN-MARK (1-888-826-6275)
 Web Site: www.van-mark.com E-mail: sales@van-mark.com

SureCut 90™

Orders must include model and serial no. in order to guarantee correct parts are shipped.