

Call Toll-Free: 1-800 Van Mark Email: sales@van-mark.com

Parts NH25/NH31			
Ref	Description	Qty Req	Part No
01	Wheel	2	4054
2a	Mag Assy NH25	1	4074
2b	Mag Assy. NH31	1	4075
3a	Body, NH25	1	4076
3b	Body, NH31	1	4077
04	End Cap, Right	1	4080
05	End Cap, Left	1	4081
06	Pivot Arm	2	4068
7a	Release Rod, NH25	1	4082
7b	Release Rod, NH31	1	4083
08	Handle	1	4078
09	Grip	1	4596
10	Handle Brkt, Lower	1	4084
11	Handle Brkt, Upper	1	4085
12	Handle Post	1	4073
13	Wheel Brkt	2	4086

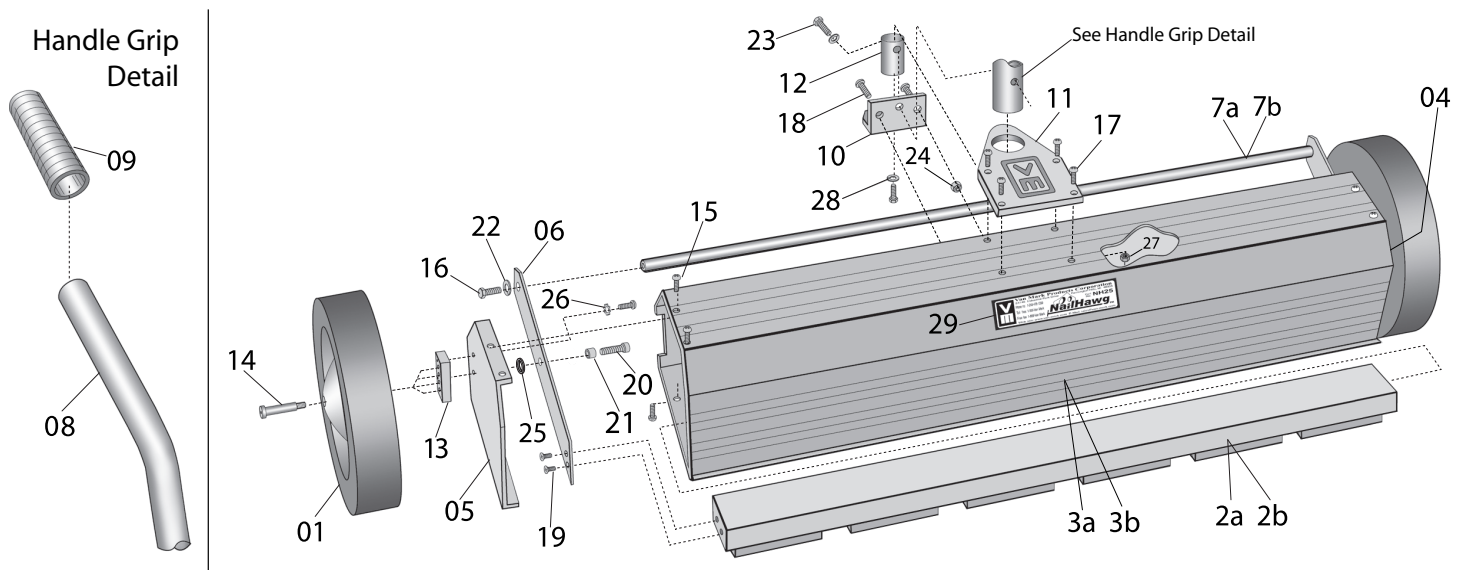
Parts NH25/NH31			
Ref	Description	Qty Req	Part No
14	Axle Bolt	2	2039
15	10-24x1/2" Scw	6	2005
16	5/16-18x3/4" Scw	3	2050
17	10-24x3/4" Scw	4	2002
18	1/4-20x5/8" Scw	4	2033
19	10-24x1/2" Scw	4	2004
20	1/4-20x1" Scw	2	2040
21	Pivot Spacer	2	4087
22	5/16 Lock Wash	3	2504
23	5/16-18x1 1/2" Scw	1	2055
24	1/4-20 Nyloc Nut	2	2313
25	Washer, Nylon	2	2501
26	Washer, Star	2	2511
27	10-24 Nyloc Nut	4	2317
28	5/16 Flat Washer	1	2505
29	Product Label	1	4088



NailHawg™ Model No NH25



NailHawg™ Model No NH31



**VAN MARK PRODUCTS CORPORATION**

24145 Industrial Park Drive, Farmington Hills, MI 48335-2864 Michigan 1-248-478-1200  
 Call Free 1-800-VAN-MARK (1-800-826-6275) Fax Free! 1-888-VAN-MARK (1-888-826-6275)  
 Web Site: www.van-mark.com E-mail: sales@van-mark.com

**NailHawg™ NH25/NH31**

Orders must include model and serial no. in order to guarantee correct parts are shipped.