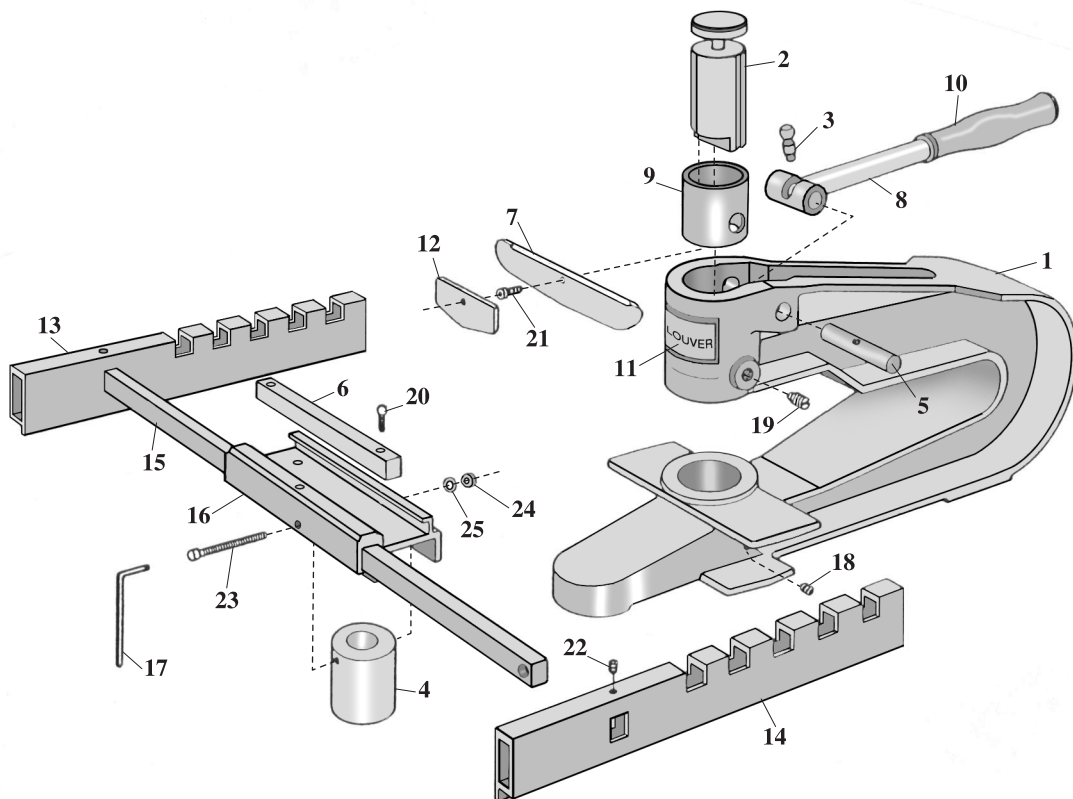


Call Toll-Free: 1-800 Van Mark Email: sales@van-mark.com

Ref	Description	P/N
1	Casting, Heavy-Duty Frame	6000
2	Ram, Top	6001
3	Ball, Pressure	6002
4	Tube, Bottom Pivot	6003
5	Pin, Handle Pivot	6005
6	Knife, Bottom (4 Cutting Edges)	6007
7	Knife, Top (6 inches Wide)	6008
8	Handle, Operating	6009
9	Bearing, Bronze Oilite	6010
10	Grip, Plastic Handle	6011
11	Name Plate	6012
12	Knife, Top 2-1/2" Wide (OPT)	6014
13	Guide, Left Punch	6015

Ref	Description	P/N
14	Guide, Right Punch	6016
15	Cross-Bar, Punch Guide	6018
16	Bracket, Lower Knife & Guide	6022
17	Wrench 5/32 Hex	6023
18	Screw, 5/16-18 x 3/8 Gib Set	2012
19	Screw, Spring Plunger	2017
20	Screw, 10-32 x 3/4 Soc Hd	2018
21	Screw, 10-24 x 1/2 Soc Hd Cap	2021
22	Screw, 5/16 x 3/8 Soc Set	2022
23	Screw, 1/4-20 x 2-3/4 Soc Hd Cap	2032
24	Nut, 1/4-20 Hex	2300
25	Washer, 1/4" Lock	2500
13-15	Punch Guide Kit w/Screws (3 pc)	L101



VAN MARK PRODUCTS CORPORATION

24145 Industrial Park Drive, Farmington Hills, MI 48335-2864 Michigan 1-248-478-1200
Call Free 1-800-VAN-MARK (1-800-826-6275) Fax Free! 1-888-VAN-MARK (1-888-826-6275)
 Web Site: www.van-mark.com E-mail: sales@van-mark.com

Trim-A-Louver™ TAL100

Orders must include model and serial no. in order to guarantee correct parts are shipped.