

Call Toll-Free: 1-800 Van Mark Email: sales@van-mark.com

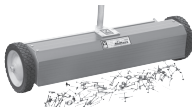



Save Time! Save Money!
All 3000 Series Parts Numbers are Complete
"Ready to Use" Assemblies.

Ref	Description		Model	Model	Model
			J8A STD XC8A XC	J10A STD XC10A XC	J12A STD XC12A XC
			P/N	P/N	P/N
1	Slide Bar & Wedge Assm	STD	3803	3804	3805
2	Slide Bar & Wedge Assm	XC	3810	3811	3812
3	L Bar w/SS Edge Strip	STD	3817	3818	3819
4	L Bar w/SS Edge Strip	XC	3824	3825	3826
5	Hinge, Front w/Black Vinyl Strip*		3831	3832	3833
6	Hinge, Fixed Rear*	STD	4581	4583	4585
7	Hinge, Fixed Rear*	XC	4582	4584	4586
8	Rail, Base Front	STD	4646	4647	4648
9	Rail, Base Front	XC	4653	4654	4655
10	Rail, Base Rear	STD	4660	4661	4662
11	Rail, Base Rear	XC	4667	4668	4669
12	Strip, Stainless Steel Edge**		4494	4495	4496

**Can ship via UPS in 2 pcs.

Parts For All Models		
Ref	Part Name	P/N
13	Strip, Black Vinyl Wear	4482
14	Handle, Bending w/Brackets	3536
15	Brackets, Bending Handle (2 ea)	3579
16	Wedges & Wedge Block Assm	3843
17	Springs	3584
18	C Clamp Casting	3838
19-20	Lock Handle & Grip	3586
48	Lock Handle Bracket	3845
52	Lock Handle Clevis Assembly	3846
22	Handles, Carrying (2 ea)	3572

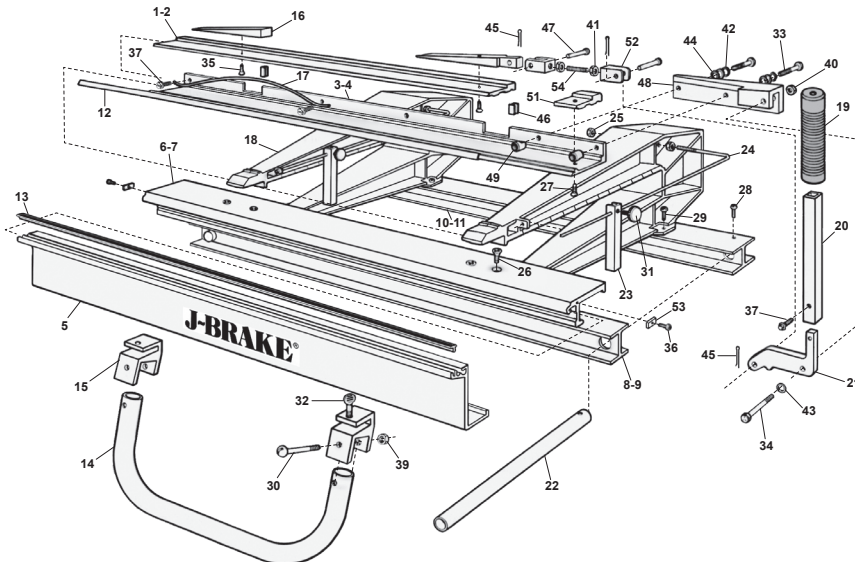
Optional Accessories

NailHawg™	Steel Folding Legs 3000	Wheel Kit 3004	UniStand™ USA1
			
Gets nails from job site (shown with partial handle)	Heavy-Duty steel legs (includes hardware)	Fits All Van Mark Brakes Attaches to one end of Brake Base Rails	Easily maneuvers Van Mark tools over terrains

Tune-Up Kits	
	STD Model P/N 3842 XC Model P/N 3848
Ref	Description
13	Strip, Black Vinyl Wear
16	Wedges & #1 Wedge Block Assm w/Screws
17	Springs, Round x 10 1/4" (4 ea)
19-20	Locking Handle & Black Grip
48	Locking Handle Mounting Brkt w/Screws
52	Locking Handle Clevis Assembly w/Pivot Pins
	Screw & Fastener Package, Misc.

Important Notice! Parts are also available for J-Brakes built prior to 1979 whose model numbers do not contain the letter A.

*OEM Part no longer available. Call for options.



VAN MARK PRODUCTS CORPORATION

24145 Industrial Park Drive, Farmington Hills, MI 48335-2864 Michigan 1-248-478-1200
Call Free 1-800-VAN-MARK (1-800-826-6275) Fax Free! 1-888-VAN-MARK (1-888-826-6275)
 Web Site: www.van-mark.com E-mail: sales@van-mark.com

J-Brake™

Orders must include model and serial no. in order to guarantee correct parts are shipped.